

**REGULAR MEETING – January 14, 2025**

On this the 14<sup>th</sup> day of January 2025 at 9:00 A.M. the Honorable Commissioners Court of Blanco County convened in a REGULAR MEETING at a special meeting place thereof in the Courthouse Annex, Hoppe Room, in Johnson City with the following members to-wit:

BRETT BRAY	COUNTY JUDGE
TOMMY WEIR	COMMISSIONER PCT. 1
EMIL UECKER	COMMISSIONER PCT. 2
CHRIS LIESMANN	COMMISSIONER PCT. 3
CHARLES RILEY	COMMISSIONER PCT. 4

---

**Swear in Elected/Appointed Officials**

**Call to order and roll call.**

The Judge and all Commissioners announced present.

**Pledge of Allegiance(s) – United States and Texas**

**Invocation** – Led by Pastor Boatright.

**PUBLIC COMMENTS** – opportunity for the general public to address the Court on any agenda item. Comments are limited to 3 minutes. none

**ITEM 1** – Consider approval of minutes of prior Commissioners Court meeting(s). Vote on any action taken. (Judge Bray)

COMMISSIONER UECKER made the motion to dispense with the reading of the minutes and to approve the minutes as presented, seconded by Commissioner Riley. Judge Bray called for discussion and vote.

JUDGE BRAY – YES.

COMMISSIONER WEIR – YES.

COMMISSIONER UECKER – YES.

COMMISSIONER LIESMANN – YES.

COMMISSIONER RILEY – YES. MOTION CARRIED. 5/0

**ITEM 2** – Consider approval of the estimated January 2025 payroll. Vote on any action taken. (Judge Bray)

COMMISSIONER LIESMANN made the motion to approve the estimated payroll in the amount of \$601,102.06, seconded by Commissioner Riley. Judge Bray called for discussion and vote.

JUDGE BRAY – YES.  
COMMISSIONER WEIR – YES.  
COMMISSIONER UECKER – YES.  
COMMISSIONER LIESMANN – YES.  
COMMISSIONER RILEY – YES. MOTION CARRIED. 5/0

**ITEM 3** – Consider ratifying November 2024 official report for JP#4 and approve the official reports for December 2024. Vote on any action taken. (Judge Bray)

COMMISSIONER UECKER makes the motion to ratify the November 2024 official report for JP#4 and to approve the official reports for December 2024, seconded by Commissioner Riley. Judge Bray called for discussion and vote.

COMMISSIONER WEIR – YES.  
COMMISSIONER UECKER – YES.  
COMMISSIONER LIESMANN – YES.  
COMMISSIONER RILEY – YES. MOTION CARRIED. 5/0

**ITEM 4** – Consider ratifying and/or approving line-item transfers as presented. Vote on any action taken. (Judge Bray)

There were none presented. No action required.

**ITEM 5** – Consider ratifying and/or approving the outstanding bills. Vote on any action taken. (Judge Bray)

COMMISSIONER LIESMANN made the motion ratifying the bills in the amount of \$224,15.08 and approving the outstanding bills in the amount of \$893,305.15, seconded by Commissioner Uecker. Judge Bray called for discussion and vote.

JUDGE BRAY – YES.  
COMMISSIONER WEIR – YES.  
COMMISSIONER UECKER – YES.  
COMMISSIONER LIESMANN – YES.  
COMMISSIONER RILEY – YES. MOTION CARRIED. 5/0

**ITEM 6** – Discussion and approval of the updated Blanco County Historical Commission membership for 2025-2026. Vote on any action taken. (Judge Bray)

COMMISSIONER LIESMANN makes the motion to approve the updated Blanco County Historical Commission membership for 2025-2026, seconded by Commissioner Weir. Judge Bray called for discussion and vote.

JUDGE BRAY – YES

COMMISSIONER WEIR – YES.  
COMMISSIONER UECKER – YES.  
COMMISSIONER LIESMANN – YES.  
COMMISSIONER RILEY – YES. MOTION CARRIED. 5/0

**ITEM 7** – Discussion and action to release the construction bond and move into the maintenance bond for Stanton Vistas subdivision. Vote on any action taken.  
(Commissioner Uecker)

COMMISSIONER UECKER would like to move this item to the next meeting.  
ITEM PASSED at this time.

**ITEM 8** – Approve the service agreement with All Source Fire Protection, LLC for alarm monitoring services at the Starflight facility. Vote on any action taken. (Commissioner Liesmann)

COMMISSIONER LIESMANN made the motion to approve the service agreement with All Source Fire Protection, LLC for alarm monitoring services at the Starflight facility with the changes as presented on this paper, seconded by Commissioner Riley. Judge Bray called for discussion and vote.

JUDGE BRAY – YES.  
COMMISSIONER WEIR – YES.  
COMMISSIONER UECKER – YES.  
COMMISSIONER LIESMANN – YES.  
COMMISSIONER RILEY – YES. MOTION CARRIED.

**ITEM 9** – Consider acceptance of the bonds for elected officials and employees. Vote on any action taken. (Judge Bray)

JUDGE BRAY made the motion to accept the bond for the elected officials and employees, seconded by Commissioner Riley. Judge Bray called for discussion and vote.

JUDGE BRAY – YES.  
COMMISSIONER WEIR – YES.  
COMMISSIONER UECKER – YES.  
COMMISSIONER LIESMANN – YES.  
COMMISSIONER RILEY – YES. MOTION CARRIED. 5/0

**ITEM 10** – Consider burn ban. Vote on any action taken.

COMMISSIONER UECKER made the motion to extend the burn ban until February 11, 2025, at noon, seconded by Commissioner Weir. Judge Bray called for discussion and vote.

JUDGE BRAY – YES.  
COMMISSIONER WEIR – YES.  
COMMISSIONER UECKER – YES.  
COMMISSIONER LIESMANN – YES.

COMMISSIONER RILEY – YES. MOTION CARRIED. 5/0

**ITEM 11 – Adjourn.**

COMMISSIONER UECKER made the motion to adjourn, seconded by Commissioner Weir. Judge Bray called for discussion and vote.

JUDGE BRAY – YES.

COMMISSIONER WEIR – YES.

COMMISSIONER UECKER -YES.

COMMISSIONER LIESMANN -YES.

COMMISSIONER RILEY – YES. MOTION CARRIED. 5/0

The meeting adjourned at 09:23 A.M.

The above and foregoing minutes were examined and approved in Open Court this \_\_\_\_\_ day of \_\_\_\_\_, 2025.

I, Laura Walla, County Clerk, Blanco County, Texas attest that the foregoing is a true and correct accounting of the Commissioner's Court authorized proceedings for January 14, 2025.

\_\_\_\_\_  
Laura Walla, County Clerk, Blanco County



# Blanco County Commissioners' Court

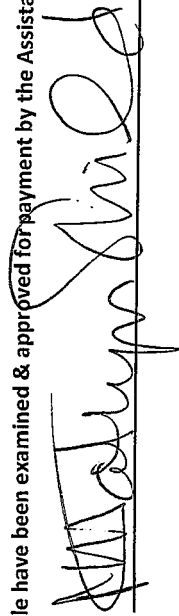
January 28, 2025

## Invoice File Listing By Fund for Approval

Fund	Description	Disbursement
010	General Fund	\$ 221,864.72
015	Road & Bridge Fund	\$ 24,519.48
049	Exhibit Hall	\$ 54.00
050	2023 Certificate of Obligation	\$ 16,630.71
<b>Total</b>		<b>\$ 263,068.91</b>

The attached list of Claims Payable have been examined & approved for payment by the Assistant County Auditor as provided by the Texas LGC 113.064 & 113.065

Attest Asst. County Auditor:



Date

1/23/25

The attached list of Claims Payable have been examined & approved for payment by the Commissioners' Court as provided by the Texas LGC 115.021 & 115.022

County Judge \_\_\_\_\_

Date \_\_\_\_\_

Commissioner Pct 1 \_\_\_\_\_

Commissioner Pct 3 \_\_\_\_\_

Commissioner Pct 2 \_\_\_\_\_

Commissioner Pct 4 \_\_\_\_\_

DEPARTMENT					
NAME-OF-VENDOR	INVOICE-NO	S	DESCRIPTION-OF-INVOICE	AMOUNT	
0300--GENERAL FUND REVENUES					
STATE COMPTROLLER	90934	A	1-74-6001460-2 ELECTRONIC	94.99	
STATE COMPTROLLER	90935	A	1-74-6001460-2 CRIMINAL FEES	45,445.29	
STATE COMPTROLLER	90944	A	1-74-6001460-2 CIVIL FEES	4,533.00	
DEPARTMENT TOTAL				50,073.28	
0310--GENERAL FUND GRANTS					
BURNET COUNTY SHERIFF'S OFFICE	90967	A	INV#4201-12925-001 CONST 4	90.00	
DEPARTMENT TOTAL				90.00	
0400--COUNTY JUDGE EXPENSES					
MATTHEW MCMAIN	90985	A	REIMBURSEMENT	202.65	
SEYMOURS INC.	91008	A	INV#58920 FIRE MARSHAL	319.64	
ZACHRY PUBLICATIONS, LP	91018	A	INV#TXCD-1-8965 CO JUDGE	61.00	
DEPARTMENT TOTAL				583.29	
0411--ELECTIONS ADMINISTRATOR					
BLANCO COUNTY PUBLICATIONS LP	90961	A	NOTICE OF TESTING	72.00	
ROSEMARY ADAME	91005	A	REIMBURSEMENT	638.46	
TAWNIA REED	91011	A	REIMBURSEMENT	82.69	
DEPARTMENT TOTAL				793.15	
0420--TAX ASSESSOR/COLLECTOR					
AMAZON CAPITAL SERVICES, INC	90954	A	INV#1D19-4FQ9-TW9H TAC	30.40	
AMAZON CAPITAL SERVICES, INC	90955	A	INV#19V9-DT3H-YT7X TAC	82.59	
AUSTIN PAPER COMPANY	90959	A	INV#00131267 TAC	70.42	
KRISTEN SPIES	90984	A	MISC	300.00	
PERRY OFFICE PLUS	91003	A	INV#IN-1569169 TAC	60.34	
DEPARTMENT TOTAL				543.75	
0425--COUNTY SHERIFF					
AMAZON CAPITAL SERVICES, INC	90947	A	INV#1TJW-3PG3-X9NK LEC	95.97	
AMAZON CAPITAL SERVICES, INC	90948	A	INV#1GHH-LHKC-FYLT LEC	31.99	
AMAZON CAPITAL SERVICES, INC	90949	A	INV#1FMP-D7XM-WJHK LEC	473.86	
AMAZON CAPITAL SERVICES, INC	90950	A	INV#1Y9N-H733-GCCG LEC	20.79	
AMAZON CAPITAL SERVICES, INC	90951	A	INV#11JY-PW11-9PHY LEC	34.75	
BAYLOR SCOTT WHITE	90897	A	PATIENT #TXP9414F	5,428.59	
BLANCO REGIONAL CLINIC P.A.	90964	A	INV#215097 LEC	105.00	
BLANCO REGIONAL CLINIC P.A.	90965	A	INV#215014 LEC	105.00	
BLANCO REGIONAL CLINIC P.A.	90966	A	INV#215214 LEC	105.00	
BURNET COUNTY SHERIFF'S OFFICE	90968	A	INV#4201-12925-002 LEC	360.00	
EXPRESS AUTOMOTIVE SERVICE	90978	A	INV#12078 LEC	70.55	
EXPRESS AUTOMOTIVE SERVICE	90979	A	INV#12147 LEC	365.88	
GT DISTRIBUTORS, INC	90981	A	INV#UNIV062232 LEC	30.00	
JOHNSON CITY PUBLICATIONS LP	90983	A	SUBSCRIPTION RENEWAL SHERIFF'S OFF	44.00	
KEY CONTROL HOLDING INC	90953	A	INV #D872084 LEC	10,963.33	
KEY CONTROL HOLDING INC	91019	A	INV #D872084 LEC	267.81	
ONSITEDECALS, LLC	90993	A	INV#17281 LEC	1,090.00	
PERFORMANCE FOOD SERVICE	90997	A	INV#2554860 LEC	2,112.52	
PERFORMANCE FOOD SERVICE	90998	A	INV#2554860 LEC	14.81	
PERFORMANCE FOOD SERVICE	90999	A	INV#2559951 LEC	1,567.99	
PERFORMANCE FOOD SERVICE	91000	A	INV#2559951 LEC	14.81	
PERFORMANCE FOOD SERVICE	91001	A	INV#2566431 LEC	1,522.36	
PERFORMANCE FOOD SERVICE	91002	A	INV#2566431 LEC	14.81	
PETERSON TIRE	91004	A	INV#BL57045 LEC	20.00	
SAM HOUSTON STATE UNIVERSITY	91007	A	CONFIRMATION #356188292 LEC	542.15	
SEYMOURS INC.	91009	A	INV#58892 LEC	133.00	

DEPARTMENT

NAME-OF-VENDOR	INVOICE-NO	S	DESCRIPTION-OF-INVOICE	AMOUNT
TEXAS A&M ENGINEERING EXT SRV	91012	A	INV#SW7312218 LEC	312.00
WW GRAINGER, INC	90980	A	INV#9366432673 LEC	158.91
DEPARTMENT TOTAL				26,005.88
0435-INDIGENT HEALTH CARE				
BLANCO PHARMACY & WELLNESS	90901	A	ACCT. #113	234.84
DEPARTMENT TOTAL				234.84
0440-COUNTY EXTENSION AGENCY				
AMAZON CAPITAL SERVICES, INC	90952	A	INV#1DFC-N4L4-GFJ9 AGRILIFE	274.24
DEPARTMENT TOTAL				274.24
0445-EMERGENCY MANAGEMENT				
BURNET COUNTY TREASURER	90937	A	INV #Q1 FY25	3,738.43
JOHNSON CITY HYDRO GAS	90982	A	TICKET#21933 ER MGMT	372.05
DEPARTMENT TOTAL				4,110.48
0450-JUDICIAL EXPENSES				
BLANCO CO CHILD PROTECTION BD	90898	A	JURY DONATIONS (15)	300.00
BLANCO CO CHILD PROTECTION BD	91020	A	JURY DONATIONS (20)	400.00
BLANCO COUNTY DISTRICT CLERK	90936	A	JURY FEES TRAIL 1-27-2025	3,680.00
CENTRAL TEXAS AUTOPSY PLLC	90902	A	INV #14378 JP 4	2,100.00
CENTRAL TEXAS AUTOPSY PLLC	90903	A	INV #14379 JP 4	2,100.00
CENTRAL TEXAS AUTOPSY PLLC	90904	A	INV #14381 JP 4	2,100.00
CENTRAL TEXAS AUTOPSY PLLC	90905	A	INV #14380 JP 4	2,100.00
CENTRAL TEXAS AUTOPSY PLLC	90906	A	INV #14377 JP 4	2,800.00
CENTRAL TEXAS AUTOPSY PLLC	90907	A	INV #14376 JP 4	2,100.00
HILL COUNTRY CHILD ADVOCACY CT	90899	A	JURY DONATIONS (13)	260.00
HILL COUNTRY CHILD ADVOCACY CT	91021	A	JURY DONATIONS (15)	660.00
POTTS & REILLY, LLP	90924	A	424TH CAUSE #08527	37.50
POTTS & REILLY, LLP	90925	A	33RD CAUSE #CV 09491	120.00
POTTS & REILLY, LLP	90926	A	33RD CAUSE #CV 09491	75.00
SCOTT COOLEY	90927	A	33RD CAUSE #CV 07744	688.50
STATE COMPRTOLLER	90900	A	JURY DONATIONS (2)	40.00
STATE COMPRTOLLER	91022	A	JURY DONATIONS (8)	160.00
DEPARTMENT TOTAL				19,721.00
0451-DISTRICT JUDGE				
ALAN GARRETT	90932	A	JUVENILE BOARD COMP	100.00
EVAN C. STUBBS	90933	A	JUVENILE BOARD COMP., 424TH	100.00
DEPARTMENT TOTAL				200.00
0453-JUVENILE PROBATION				
JUVENILE PROBATION DEPT	90919	A	JANUARY 2025	6,144.69
DEPARTMENT TOTAL				6,144.69
0455-COMMUNITY SERVICES				
JOHNSON CITY CHRISTIAN FOOD PANTRY	90918	A	BUDGETED FUNDS 24-25	5,000.00
DEPARTMENT TOTAL				5,000.00
0500-COURTHOUSE EXPENSES				
1000BULBS.COM	90945	A	INV#W04126262 LEC	231.08
1000BULBS.COM	90946	A	INV#W04305426 LEC	257.26
BILL'S LOCKSMITH SERVICE, LLC	90960	A	INV#32877 LEC	22.00
CANON FINANCIAL SERVICES, INC.	90938	A	INV #37545634 LEC	37.92
CHARTER COMMUNICATIONS HOLDINGS,LLC	90939	A	INV #184482901010725 LEC	1,682.79
CHARTER COMMUNICATIONS HOLDINGS,LLC	90940	A	INV #184482801010725 COURTHOUSE	1,406.38

DEPARTMENT

NAME-OF-VENDOR	INVOICE-NO	S	DESCRIPTION-OF-INVOICE	AMOUNT
CHARTER COMMUNICATIONS HOLDINGS,LLC	90941	A	INV #185859601010725 MANOR RD	299.13
CITY OF BLANCO	90942	A	ACCT #04-0016-00 SOUTH ANNEX	115.70
COUNTY JUDGES & COMMISSIONERS ASSOC	90908	A	2025 DUES BLANCO COUNTY	2,160.00
DOUCET & ASSOCIATES, INC	90909	A	INV #2988	3,728.75
DOUCET & ASSOCIATES, INC	90910	A	INV #2810	6,976.25
ERNEST BO MASTERS	90976	A	N. ANNEX TREE REMOVAL & TRIMMING	900.00
GRAVES HUMPHRIES, STAHL, LIMITED	90911	A	REPORT #COL005 JP 4	489.82
HILL COUNTRY WIRELESS & TECHNOLOGY	90912	A	INV #4450-20250120-1 RECYCLE	27.00
HILL COUNTRY WIRELESS & TECHNOLOGY	90913	A	INV #4235-20250120-1 OLD JAIL	27.00
HILL COUNTRY WIRELESS & TECHNOLOGY	90915	A	INV #3406-20250120-1 PCT 2	27.00
HILL COUNTRY WIRELESS & TECHNOLOGY	90916	A	INV #2492-20250120-1 ELECTIONS	54.00
HILL COUNTRY WIRELESS & TECHNOLOGY	90917	A	INV #1040-20250120-1 PROBATION	52.00
MAUREEN S. BURROWS, MD., MPH	90920	A	CAUSE #CR02153 PSYCHIATRIC EVAL	3,500.00
NAVITAS CREDIT CORP.	90921	A	CONTRACT #20102679-1 PHONES	1,402.00
ODIORNE FEED/RANCH SUPPLY INC	90990	A	INV#221755 LEC	82.00
OMNIBASE SERVICES OF TEXAS, LP	90923	A	REPORT #424-004016 JP 4	96.00
TEXAS ASSOCIATION OF COUNTIES	90929	A	INV #2471 AUTO & GL	80,871.00
THOMSON WEST	90930	A	INV #851355890 CO JUDGE	1,197.00
UNITED RENTALS (NORTH AMERICA), INC	91017	A	INV#243006727-001	1,017.81
VESTED NETWORKS	90931	A	INV #16886	54.00
DEPARTMENT TOTAL				106,713.89
0505-MAINTENANCE DEPARTMENT				
AMAZON CAPITAL SERVICES, INC	90956	A	INV#1KKM-3TPL-DTPF MAINTENANCE	68.47
EXPRESS AUTOMOTIVE SERVICE	90977	A	INV#12155 MAINTENANCE	121.76
DEPARTMENT TOTAL				190.23
0520-JUSTICE OF THE PEACE #4				
NORTHEAST TEXAS DATA CORP.	90922	A	REPORT #CAS017 JP 4	76.00
DEPARTMENT TOTAL				76.00
0525-CONSTABLE PCT #1				
PATRICK FISHER	90996	A	REIMBURSEMENT	110.00
DEPARTMENT TOTAL				110.00
0585-COUNTY INSPECTOR				
STONEWALL COLLISION LLC	90928	A	RO # 1627 OSSF TRUCK	1,000.00
DEPARTMENT TOTAL				1,000.00
FUND TOTAL				221,864.72

DEPARTMENT					
NAME-OF-VENDOR	INVOICE-NO	S	DESCRIPTION-OF-INVOICE	AMOUNT	
0540-R&B PCT #1					
DIRT WORKS	90973	A	INV#281767 PCT 1		188.00
ODIORNE FEED/RANCH SUPPLY INC	90989	A	INV#218442 PCT 1		800.00
OUTLAW LUMBER & HARDWARE, LLC	90994	A	INV#140010 PCT 1		88.00
OUTLAW LUMBER & HARDWARE, LLC	90995	A	INV#140650 PCT 1		164.52
THOMAS WEIR	91016	A	REIMBURSEMENT		99.99
DEPARTMENT TOTAL					1,340.51
0550-R&B PCT #2					
ODIORNE FEED/RANCH SUPPLY INC	90986	A	INV#220645 PCT 2		52.00
ODIORNE FEED/RANCH SUPPLY INC	90987	A	INV#220652 PCT 2		293.99
ODIORNE FEED/RANCH SUPPLY INC	90988	A	INV#456932 PCT 2		2.11
DEPARTMENT TOTAL					348.10
0560-R&B PCT #3					
AMAZON CAPITAL SERVICES, INC	90957	A	INV#1FYV-9RCV-QHC1 PCT 3		314.34
AMAZON CAPITAL SERVICES, INC	90958	A	INV#13JW-LNJ3-DWY3 PCT 3		33.98
BLANCO COUNTY TAX ASSESSOR-COLLECT	90963	A	LICENSE TAG #1569284 PCT 3		7.50
FRONTIER COMMUNICATIONS	90943	A	830-825-3270 PCT 3		136.98
ODIORNE FEED/RANCH SUPPLY INC	90991	A	INV#221676 PCT 3		36.79
ODIORNE FEED/RANCH SUPPLY INC	90992	A	INV#222065 PCT 3		32.99
RUIZ CONSTRUCTION	91006	A	ROAD PROJECTS-ROUND MTN/SANDY RD		20,580.00
STROEHER & SON, INC.	91010	A	INV#2338770 PCT 3		1,179.97
THIRD COAST DISTRIBUTING, LLC	91013	A	INV#157208 PCT 3		70.36
THIRD COAST DISTRIBUTING, LLC	91014	A	INV#157487 PCT 3		10.99
ULINE, INC	91015	A	INV#187413925 PCT 3		419.47
DEPARTMENT TOTAL					22,823.37
0570-R&B PCT #4					
BLANCO COUNTY TAX ASSESSOR-COLLECT	90962	A	LICENSE TAG #9054511 PCT 4		7.50
DEPARTMENT TOTAL					7.50
FUND TOTAL					24,519.48

-----  
DEPARTMENT

NAME-OF-VENDOR	INVOICE-NO	S	DESCRIPTION-OF-INVOICE	AMOUNT
0400-EXPENSES				
HILL COUNTRY WIRELESS & TECHNOLOGY	90914	A	INV #4175-20250120-1 FAIR GROUNDS	54.00
DEPARTMENT TOTAL				54.00
FUND TOTAL				54.00

-----  
DEPARTMENT

NAME-OF-VENDOR	INVOICE-NO	S	DESCRIPTION-OF-INVOICE	AMOUNT
0400-EXPENSES				
CASEY WHITE	90969	A	INV#2115 STAR FLIGHT	
COLLIER MATERIALS, INC	90970	A	INV#5246226 STAR FLIGHT	9,150.00
COLLIER MATERIALS, INC	90971	A	INV#5246384 STAR FLIGHT	2,636.80
COLLIER MATERIALS, INC	90972	A	INV#5246540 STAR FLIGHT	1,590.80
ELLIOTT ELECTRIC SUPPLY	90974	A	INV#36-37339-02 STAR FLIGHT	1,051.20
ELLIOTT ELECTRIC SUPPLY	90975	A	INV#36-37339-05 CR INV#3638824-01	1,301.88
DEPARTMENT TOTAL				900.03
				16,630.71
FUND TOTAL				
				16,630.71

-----  
DEPARTMENT

NAME-OF-VENDOR

INVOICE-NO

S

DESCRIPTION-OF-INVOICE

AMOUNT

GRAND TOTAL

263,068.91



# Blanco County Commissioners' Court

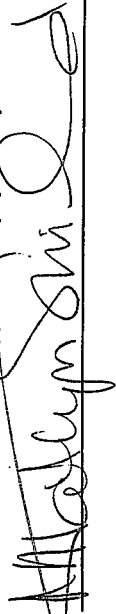
January 28, 2025

## Invoice File Listing By Fund to Ratify

Fund	Description	Disbursement
010	General Fund	\$ 8,661.36
<b>Total</b>		<b>\$ 8,661.36</b>

The attached list of Claims Payable have been examined & approved for payment by the Assistant County Auditor as provided by the Texas LGC 113.064 & 113.065

Attest Asst. County Auditor:



Date

1/23/25

The attached list of Claims Payable have been examined & approved for payment by the Commissioners' Court as provided by the Texas LGC 115.021 & 115.022

County Judge

Date

Commissioner Pct 1

Commissioner Pct 3

Commissioner Pct 2

Commissioner Pct 4

-----  
 DEPARTMENT

NAME-OF-VENDOR	INVOICE-NO	S	DESCRIPTION-OF-INVOICE	AMOUNT
0425-COUNTY SHERIFF				
PEDERNALES ELECTRIC COOP	90893	R	INV #955 LEC	2,862.22
DEPARTMENT TOTAL				2,862.22
0500-COURTHOUSE EXPENSES				
GREAT AMERICA FINANCIAL SERVICES	90889	R	INV# 38287003	1,956.59
GVTC	90890	R	ID #830-833-3209 SOUTH ANNEX INTERN	134.90
GVTC	90891	R	ID #830-833-3209 SOUTH ANNEX	464.03
PEDERNALES ELECTRIC COOP	90892	R	INV #955 COUNTY	2,846.32
DEPARTMENT TOTAL				5,401.84
0525-CONSTABLE PCT #1				
VERIZON WIRELESS	90896	R	INV #610252827 CONSTABLE 1	237.66
DEPARTMENT TOTAL				237.66
0530-CONSTABLE PCT #4				
VERIZON WIRELESS	90894	R	INV #6103129331 CONSTABLE 4	121.65
VERIZON WIRELESS	90895	R	INV #6103129331 CONSTABLE 4	37.99
DEPARTMENT TOTAL				159.64
FUND TOTAL				8,661.36

-----  
DEPARTMENT

NAME-OF-VENDOR

INVOICE-NO

S

DESCRIPTION-OF-INVOICE

AMOUNT

GRAND TOTAL

8,661.36



# Retail Purchase Order

RDO Equipment Co.  
 17301 IH-35 Ste 200  
 Buda TX, 78610  
 Phone: (737) 770-5100 - Fax:

**Bill To:**  
 BLANCO COUNTY - A/P  
 PO BOX 471  
 JOHNSON CITY, TX, 786360471  
 BLANCO ()  
 (830) 833-1077

**Purchase Order Date:** 1/23/2025  
**Purchase Order #:** 1860379  
**Purchaser Account #:** 8880782

**Customer Purchaser Type:** Governmental - County  
**Customer Market Use:** Other - Recycling  
**Location of First Working Use:** JOHNSON CITY, TX, 786360471  
**Dealer Account Number:** 177431  
**Sales Professional:** Peter Arcos  
**Phone:** (830) 632-3145  
**Fax:**  
**Email:** parcos@rdoequipment.com

## Comments

Rubber Track  
 Long Arm and Extra Counterweight  
 FOPS Cab  
 Angle Blade

## Equipment Information

Quantity	Serial Number Stock Number	Hours (approx.)	Status / Year / Make / Model Additional Items	Cash Price
1	1FF060GXANJ295195 Z117611	829	Used 2022 JOHN DEERE 60G  Warranty -John Deere Power Train & Hyd.-2500 Hours,Deductible: 0, Exp Date: 5/16/2026	\$68,180.13  \$0.00
<b>Item Subtotal:</b>				<b>\$68,180.13</b>
1	PXB09KG002055 Z142774	0	Attachment - Used 0 JOHN DEERE 60HD24	\$1,875.00
1	TBD TBD	0	Attachment - New 2025 STRICKLAND MFG 60Thumb  Excavator Attachment Thumb	\$4,254.44
<b>Item Subtotal:</b>				<b>\$4,254.44</b>
<b>Equipment Subtotal:</b>				<b>\$74,309.57</b>

## Purchase Order Totals

**Balance:** \$74,309.57  
**Total Taxable Amount:** \$0.00  
**TX STATE TAX:** \$0.00  
**TX COUNTY TAX:** \$0.00  
**TX SPECIAL TAX:** \$0.00  
**Sales Tax Total:** \$0.00  
**Sub Total:** \$74,309.57  
**Cash with Order:** \$0.00  
**Balance Due:** \$74,309.57

## Legal Information

For the Construction Product(s)

**ACKNOWLEDGMENTS** - Purchaser offers to sell, transfer, and convey the item(s) listed as "Trade In" to the Dealer at or prior to the time of delivery of the above Product(s), as a "trade-in" to be applied against the cash price. Purchaser represents that each "trade-in" item shall be free and clear of all security interests, liens, and encumbrances at the time of transfer to the Dealer except to the extent shown below. The price to be allowed for each "trade-in" item is listed on this document. The Purchaser promises to pay the balance due shown hereon in cash, or to execute a Time Sale Agreement (Retail Installment Contract), or a Loan Agreement for the purchase price of the Product(s), plus additional charges shown thereon, or to execute a Lease Agreement, on or before delivery of the Product(s) ordered herein. Despite delivery of the Product(s) to the Purchaser, title shall remain with the Seller until one of the foregoing is accomplished. Except as provided herein and as necessary to protect RDO Equipment from the claims of a bankruptcy trustee or a buyer in the ordinary course of business, the Purchaser and the Dealer agree that this Purchase Order is not a security agreement and that delivery of the Product(s) to the Purchaser pursuant to this Purchase Order will not constitute possession of the Product(s) by the Purchaser, as a debtor, for the purposes of the purchase money security provisions in any statutes relating to personal property security or its equivalent. Purchaser understands that its rights in connection with this purchase are limited as set forth in this Purchase Order. I (we) hereby grant a security interest to RDO Equipment in the Product.

**DISCLOSURE OF REGULATION APPLICABILITY** - When operated in California, any off-road diesel vehicle may be subject to the California Air Resources Board In-Use Off-Road Diesel Vehicle Regulation. It therefore could be subject to retrofit or accelerated turnover requirements to reduce emissions of air pollutants. More information is available on the California Air Resources Board website at <http://www.arb.ca.gov/msprog/ordiesel/ordiesel.htm>.

**IMPORTANT WARRANTY NOTICE** - The Standard Warranty for new John Deere construction and forestry products is set forth in a separate document provided by the dealer. Please read the Standard Warranty carefully before signing. No express warranty is made unless specified in the Warranty Statement. PURCHASER'S RIGHTS AND REMEDIES PERTAINING TO THIS PURCHASE ARE LIMITED AS INDICATED IN THE STANDARD WARRANTY AND PURCHASE ORDER. WHERE PERMITTED BY LAW, NO IMPLIED WARRANTY OF MERCHANTABILITY OR FITNESS IS MADE.

Telematics: Orders of telematic devices include only the hardware. Where available, telematics software, including JDLink™ connectivity service, may be enabled from your local John Deere Operations Center or JDLink website. Please see your authorized John Deere dealer for assistance.

The undersigned purchaser(s) (the "Purchaser") hereby orders the product (the "Product") described above from the Dealer. The Dealer shall not be liable for failure to provide the Product or for any delay in delivery if such failure or delay is due to the Dealer's inability to obtain such Product from the manufacturer or supplier or other cause beyond the Dealer's control. The cash price shown above is subject to the Dealer receiving the Product from the manufacturer or supplier prior to any change in price by the manufacturer or supplier and is also subject to any new or increased taxes being imposed upon the sale of the Product after the date of this Purchase Order.

Upon signature of delivery acknowledgment, customer is accepting the equipment, including attachments, in "AS IS" condition, agreeing to notify RDO Equipment Co. within 24 hours of any damages or discrepancies found upon receipt of equipment.

## Signature Area

### Purchase Order Accepted By:

\_\_\_\_\_  
(Customer's Signature)

\_\_\_\_\_  
(Date Accepted)

\_\_\_\_\_  
(Authorized Signature of Dealer)

\_\_\_\_\_  
(Date Accepted)

### Delivery of Equipment Acknowledgement:

\_\_\_\_\_  
(Customer's Signature)

\_\_\_\_\_  
Date Accepted

\_\_\_\_\_  
(Account Manager's Signature)

\_\_\_\_\_  
Date Accepted

### Standard Warranty Acknowledgement:

\_\_\_\_\_  
(Delivered On)

\_\_\_\_\_  
(Warranty Begins)

\_\_\_\_\_  
(Customer's  
Initials)

\_\_\_\_\_  
(Account  
Manager's  
Initials)

### Extended Warranty Oil Sampling Acknowledgement:

\_\_\_\_\_  
(Customer's Initials)

\_\_\_\_\_  
(Account Manager's Initials)

## STANDARD WARRANTY FOR NEW JOHN DEERE CONSTRUCTION, COMPACT CONSTRUCTION (CCE) FORESTRY, AND UTILITY PRODUCTS – US & Canada

- **Construction & Forestry Products:** 12 months/unlimited hours (whichever occurs first) Full Machine Standard Warranty
- **Compact Construction Equipment (CCE) Products:** 24 months or 2000 hours (whichever occurs first) Full Machine Standard Warranty
- **C&E Series Pull-Type Scrapers:** 6 months Full Machine Standard Warranty
- **DC & DE Pull-Type Scrapers:** 12 months Full Machine Standard Warranty
- **Scraper Tractors:** 24 Months or 2000 Hours (whichever occurs first) Full Machine Standard Warranty
- **Forestry Attachments:** 12 Months or 2000 Hours (whichever occurs first) Full Machine Standard Warranty

The "Standard Warranty" is part of the warranty protection package available from John Deere Construction & Forestry Company (John Deere Limited in Canada) ("John Deere") to purchasers of new John Deere products ("product"):

**STANDARD Warranty** is John Deere's standard new product warranty, described in this document, provided at no additional charge to the purchaser.

**EXTENDED Warranty** is a separate repair contract made available by John Deere for purchasers who wish to complement their Standard Warranty coverage. Complete Extended Warranty details, including coverage options and limitations, are set forth in the Application for Extended Warranty, which is available from authorized John Deere dealers.

**STRUCTURALL Warranty** applies to certain structural components as listed below and as described in this document.

**FACTORY-INSTALLED UNDERCARRIAGE Warranty** applies to certain undercarriage components as listed below and as described in this document.

### A. STANDARD WARRANTY - GENERAL PROVISIONS

John Deere will repair or replace, at its option, any parts (except those specified below) of a new John Deere product that, as delivered to the original retail purchaser(s), are defective in material or workmanship. Performance of this warranty will be free of charge for parts and labor, except as otherwise stated below. Standard Warranty applies only to purchases from John Deere and authorized John Deere dealers and, except as otherwise provided in the next sentence and section L below, is extended only to the original retail purchaser of the product. Remaining Standard Warranty applicable to a used John Deere product is transferred to a subsequent purchaser of the product only if the subsequent purchaser requests a transfer from an authorized John Deere dealer before the product's Standard Warranty expires. Coverage begins on the date of delivery of the product to the original retail purchaser. For purposes of this warranty, a product that has been rented, used for demonstration purposes for 150 or more hours, or otherwise used prior to its original retail purchase has been "used" for the total duration of such use. Warranty statements required by law covering engine emissions-related parts and components are found on a separate written warranty certificate provided to the purchaser at the time of the original retail purchase.

### B. WHAT IS COVERED BY STANDARD WARRANTY -

All parts of a new John Deere product (except those noted in Sections D and E below) are covered during the Standard Warranty period set out above.

### C. EXCLUSIVE REMEDY -

The repair or replacement of covered parts or components that are defective, as provided in Sections A, B, D.2 and D.3 herein, shall be the purchaser's exclusive remedy for any defect in the product. However, if after repeated attempts such repair or replacement fails to correct the performance problem caused by the defect, the purchaser's sole remedy shall be a refund of the amount paid for the product (in exchange for a return of the product), excluding any transportation charges, license fees, taxes and insurance premiums, and less a reasonable allowance for use of the product prior to its return. In no event will the dealer, John Deere or any company affiliated with John Deere be liable for any incidental or consequential damages, including but not limited to loss of profits, rental of substitute equipment or other commercial loss. Correction of defects in the manner provided above shall constitute fulfillment of all liabilities of the Dealer, John Deere, or any company affiliated with John Deere to the purchaser or any other person, whether based upon contract, tort, strict liability, or otherwise. This limitation does not apply to claims for personal injury.

#### D. ITEMS COVERED SEPARATELY -

1. Standard Warranty does not apply to batteries, radios, tires, cameras, or to Cummins, MTU or Detroit Diesel Engines installed in John Deere products, which are covered by separate written warranties.
2. Factory-Installed Undercarriage Warranty covers all non-rubberized factory-installed undercarriage wear components for 3 years or 4,000 hours from the date of delivery to the original retail purchaser, whichever occurs first (unless terminated earlier under Section F, below). For purposes of this warranty, a product that has been rented, used for demonstration purposes for 150 or more hours, or otherwise used prior to its original retail purchase has been "used" for the total duration of such use. In addition to the items listed in section E below, Factory-Installed Undercarriage Warranty does not cover: failures due to wear, machine application, maintenance practices, or improper machine configuration; removal and installation labor; transportation or hauling costs; unapproved parts; non-wear items; and rubberized undercarriage components such as rubber tracks. Warranty claims will be pro-rated based upon wear of the failed component and whether track shoe width is approved by John Deere. Factory-Installed Undercarriage Warranty does not apply to Scraper Tractors.
3. StructurALL Warranty for new John Deere Products (except Compact Excavators & Loaders, Skid-Steer Loaders, Compact Track Loaders, Scraper Tractors, Pull-Type Scrapers, and Forestry Attachments, which are not eligible for StructurALL Warranty) begins at the date of delivery to the original retail purchaser and ends (unless terminated earlier under Section F, below) after three (3) years, or 10,000 hours (whichever occurs first). For purposes of this warranty, a product that has been rented, used for demonstration purposes for 150 or more hours, or otherwise used prior to its original retail purchase has been "used" for the total duration of such use. **StructurALL Warranty applies only to the following structural components listed below as installed on the product at the time of original manufacture.** If a particular component is not listed below it is not covered by StructurALL Warranty.

Arm; Articulation Joint (incl. pins & bushings); Bin Frame; Boom; Carbody; C-Frame\*; Circle Frame; Coupler (John Deere built ONLY); Dipperstick; Draft Frame; Engine Frame; Equipment Frame; Grapple Arch and Grapple Boom; Loader Arm; Loader Frame; Mainframe; Moldboard Lift Arm; NeverGrease™ Pin Joints [Includes steering pin and bushing joints (standard equipment), roller elements (roller bearings) in bucket to boom joints and sliding elements (bushing) for boom and linkage joints (optional equipment)]; Rollover Protection Structure (ROPS); Side Frame; Swing Frame; Track Frame; Undercarriage Frame; X-Frame; Z-bar loader linkage (including bell crank and bucket driver link); Specialty booms and arms marketed as "heavy duty" by John Deere.

*Items Covered by StructurALL for Cut-to-Length Forestry Machines:* Front frame (welded assembly); Rear frame (welded assembly); Crane king post with basement; Middle joint frame; Cabin swing frame; Main Boom

StructurALL Warranty does not apply to:

1. Any product used primarily in extreme duty or severe duty applications such as but not limited to: demolition and wrecking, chemical plant (including fertilizer plants), salt mines, steel mill, land fill and transfer stations, scrap handling, scarifying and other applications that are similarly destructive or similarly heavy duty except specialty booms and arms as stated in Section D.3 above.
2. C-Frames on Crawlers equipped with root rakes or used in forestry applications unless equipped with an "extreme duty" reinforcement package.
3. Cut-to-Length Forestry Heads and Slash Bundler Units.
4. Crawlers equipped with optional side booms.
5. Cut-to-Length Forestry, Excavator, and Log Loader swing bearings.
6. Motor Graders equipped with front- or rear-mounted snow wings.

#### **E. ITEMS NOT COVERED -**

John Deere is NOT responsible for the following:

1. Freight
2. Adjustments to compensate for wear, for periodic maintenance or adjustments that result from normal wear and tear.
3. Damage caused by unapproved adjustments (electronic or mechanical) to machine or machine components outside of published specifications including but not limited to engine, hydraulic components and relief valves.
4. Program updates, calibrations, and pressure adjustments.
5. Additional Labor Time - Above Dealer Labor Rate
6. Additional Cleaning - Above Dealer Labor Rate
7. Rental Fees
8. Depreciation or damage caused by normal wear or application, lack of reasonable and proper maintenance, failure to follow operating instructions, misuse, lack of proper protection during storage, vandalism, negligence, collision, or other accidents.
9. Premiums charged for Overtime Labor
10. Transportation to and from the dealership.
11. Travel time, mileage, or service calls by the dealer.
12. Non-John Deere components or modifications, Rotobec grapples, and attachments installed aftermarket.
13. Shop supplies and maintenance items such as, but not limited to: filters, fuels, oil, hydraulic fluid, lubricants, coolants, conditioners, shop towels, cleaners and degreasers.
14. Torn, cut, or worn hoses.
15. Wear items, such as, but not limited to: body liner, belts, blades, bulbs, lubricated joints (including pins and bushings), dry brakes, brake linings, dry clutch linings, saw blades, chains, skidder grapple shocks, color marking nozzles, and articulation bumpers.
16. Items such as cutting-edge parts, delimiting knives, bucket teeth and rubber track are not warranted for depreciation or damage caused by normal wear, lack of proper maintenance, misuse, failure to follow operating instructions, the elements or accident.
17. Any defect in a non-covered component, or damage to or failure of a covered component caused by a defect in a non-covered component.
18. Secondary damage which occurs from continued operation of a product after recognition of the occurrence of a failure.
19. Parts supplied by or repairs, maintenance or modifications performed by someone other than an authorized John Deere dealer, including any damage caused by such use of parts, repairs, maintenance, or modifications not performed by an authorized John Deere dealer.
20. Topping off fluids when fluid levels fall in the range between low and full
21. Parts/Kits not ordered on machine and installed aftermarket. These parts will be covered by any applicable parts warranty.
22. Attachments installed aftermarket – i.e., Winch not installed at factory.
23. Custom options installed outside the factory – i.e., G.R. Manufacturing option packages.
24. Used Products (except as otherwise provided in section L below).

#### **F. TERMINATION OF WARRANTY-**

John Deere is relieved of its obligations under Standard Warranty, StructurALL Warranty, Factory-Installed Undercarriage Warranty and/or Extended Warranty if:

1. The product is modified or altered in ways not approved by John Deere; or
2. Any unapproved or improperly sized attachment is installed on the product. Approval and attachment size shall be at John Deere's sole discretion. (Consult dealer prior to installing attachments or product modification).
3. The product is moved outside the US and/or Canada.

#### **G. PARTS REPLACED UNDER WARRANTY -**

Only new or remanufactured parts or components furnished or approved by John Deere, will be used if John Deere elects to repair the product. If any such part or component is defective in material or workmanship when installed in the product, John Deere will repair or replace, as it elects, such defective part or component, provided the defect is reported to an authorized John Deere dealer within 90 days of installation or before expiration of the applicable Standard Warranty, Factory-Installed Undercarriage Warranty and/or StructurALL Warranty whichever is later.



## H. TELEMATICS

*NOTICE: Products may be equipped with telematics hardware and software ("Telematics") that transmit data to John Deere/ Dealer. Purchaser may deactivate Telematics at [www.jdlink.com](http://www.jdlink.com).*

Notwithstanding Purchaser's right, title or interest in the Products, Purchaser agrees that John Deere and Dealer (their affiliates, successors and assigns), without further notice to Purchaser have the right to:

1. Access, use, collect and disclose any data generated by, collected by, or stored in, Products or any hardware or devices interfacing with Products ("Machine Data");
2. Access Machine Data directly through data reporting devices integrated within, or attached to, Products, including Telematics ("Data Reporting Systems"); and
3. Update the Data Reporting Systems software from time to time. Machine Data will only be used in accordance with John Deere's Machine Data Policy, located at [www.JohnDeere.com/MachineDataPolicy](http://www.JohnDeere.com/MachineDataPolicy).

## I. OBTAINING WARRANTY SERVICE -

To obtain warranty service, the purchaser must request warranty service from a John Deere dealer authorized to sell the product to be serviced. When making such a request, the purchaser must present evidence of the product's delivery date, make the product available at the dealer's place of business, and inform the dealer in what way the purchaser believes the product to be defective. Standard Warranty, Factory-Installed Undercarriage Warranty and/or StructurALL Warranty repairs may be made in the field if the purchaser and servicing dealer so desire. However, John Deere will not be responsible for any charges (such as dealer travel time, mileage or extra labor) that would not have been incurred had the product been repaired at the dealer's place of business.

## J. NO IMPLIED WARRANTY, CONDITIONS OR OTHER REPRESENTATION -

Where permitted by law, neither John Deere nor any company affiliated with it makes any warranties, representations, conditions or promises, express or implied, as to the quality, performance, or freedom from defect of its products, other than those set forth in this document and **NO IMPLIED WARRANTY OF MERCHANTABILITY, CONDITIONS OR FITNESS IS MADE.**

## K. NO DEALER WARRANTY -

The selling dealer makes no warranty of its own on any item covered by this warranty and makes no warranty on other items unless the dealer delivers to the purchaser a separate written warranty certificate specifically warranting the item. **The dealer has no authority to make any representation or promise on behalf of John Deere, or to modify the terms or limitations of this warranty in any way.**

## L. USED JOHN DEERE PRODUCTS ONLY -

John Deere will transfer remaining Standard Warranty, Factory-Installed Undercarriage Warranty and/or StructurALL Warranty to the purchaser of a used John Deere construction and/or forestry product that has been used for less than the full warranty period provided at the product's original retail purchase. This transfer is not effective until change of ownership is registered by a John Deere dealer. **ALL THE TERMS, INCLUDING LIMITATIONS AND EXCLUSIONS, OF THE JOHN DEERE STANDARD WARRANTY, FACTORY-INSTALLED UNDERCARRIAGE WARRANTY, AND/OR STRUCTURALL WARRANTY ORIGINALLY PROVIDED FOR THE PRODUCT REMAIN IN EFFECT AND APPLICABLE.**



**60 P**

Compact Excavator



**JOHN DEERE**







## ***SMALLER MACHINE, BIGGER POTENTIAL***

When you need more from your compact excavator, the John Deere 60 P-Tier might be your “one and done.” This small-but-mighty muscle specializes in making work in close quarters seem like no big deal. Loaded with customer-inspired ideas like significant lift and reach, precise control, and an amazingly comfortable cab, digging, excavating, and loading tasks become big possibilities. Plus it runs quiet, too. Jobsite-proven standard and optional advantages including your choice of tracks and John Deere attachments push the 60 P-Tier to make a sizable impact on the potential — and profitability — of your operation.



## 60 P-TIER COMPACT EXCAVATOR

## FEATURES



### **Comfort, quiet, and control**

Spacious operator station has a wide entryway and backhoe- to excavator-style controls. Swing boom and foldable travel pedals are positioned for efficient operation and comfortable foot room. Noise-reducing aftertreatment device and isochronous high-idle speed help keep things noticeably quiet. Rubber cab mounts isolate the operator from noise and vibration.

### **Work, run, repeat**

Reduced-tail-swing design maximizes maneuverability and performance in cramped places and tight spaces. Compact stature permits easy transport between jobsites, perfect for "dig-and-go" projects.

### **Resource management**

Auto-idle automatically reduces engine speed when hydraulics aren't in use. Auto shutdown conserves precious fuel. Power/economy modes optimize power for digging applications, further improving fuel efficiency.

### **Get back to it**

Standard backfill blade enables the 60 P-Tier to grade and fill, boosting machine versatility and stability when using attachments or working on uneven terrain.

### **Swing for the fences**

Put the 60 P-Tier's independent-swing boom and 360-degree rotation to work taming difficult tasks. Impressive lift height and reach ease truck loading.



**OPT FOR CANOPY  
TO SUIT CLIMATE &  
WORK CONDITIONS**



### Handy hydraulics

Standard quick-coupler-equipped, boom-mounted auxiliary hydraulic lines simplify attachment hookup. Return-flow selector valve accommodates hydraulic-driven attachments that operate either one or two ways. Wedge-style coupler enables swift changes of a wide range of buckets and attachments, such as hydraulic hammers, plate compactors, and augers.

### Safe travels

No operator activation is required for high-speed travel. Track speeds automatically slow to low whenever a heavier load is encountered, then return to high when the load normalizes.

### Designed for durability

Heavy-duty side shields deflect material and impacts, protecting boom/blade cylinders and drive motors. Single-pin swing-post increases boom rigidity. Reinforced D-channel side frames and heavy-duty X-frame help extend wear life.

### Maintenance made easy

Hinged door provides wide-open access to the side-by-side oil cooler and radiator. Operator station tilts forward 50 degrees to reach the swing motor, hydraulic control valve, engine starter motor, and alternator. Extended service intervals allow the machine to work longer before maintenance is needed.

### Make the most of your investment

Already own some John Deere attachments? Many models including buckets, hydraulic hammers, and augers also work on other compact machines so you can redefine fleet utilization – and your bottom line.





## 60 P-TIER COMPACT EXCAVATOR



### **MATCH YOUR TRACK TO THE APPLICATION**

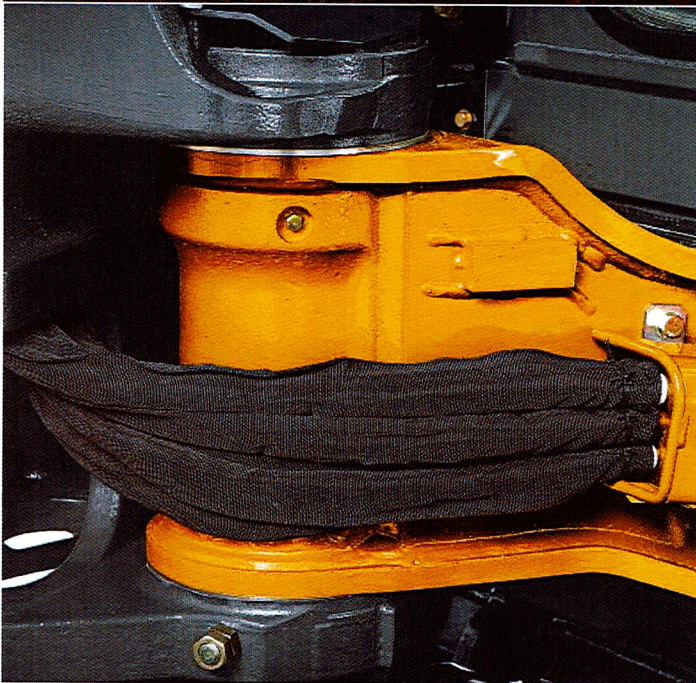
#### **The choice is yours**

Rubber tracks traverse virtually any terrain, including paved surfaces. Optional rubber grousers combine work-anywhere flexibility with steel-track serviceability. Steel tracks and steel tracks with rubber pads are also available.

#### **Connected machines**

John Deere construction equipment comes with in-base connectivity – free from subscriptions or annual renewals. Analyze critical machine data, track utilization, review diagnostic alerts, and more from **the John Deere Operations Center™**. The Operations Center also enables **John Deere Connected Support™**, which uses data from thousands of connected machines to proactively address issues before they arise. Your dealer can also remotely monitor machine health, diagnose problems, and even update machine software without a trip to the jobsite.\*

\*Availability varies by region and product. Options not available in every country.





# 60

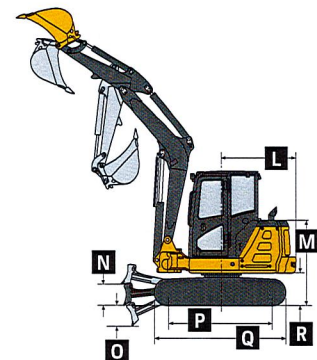
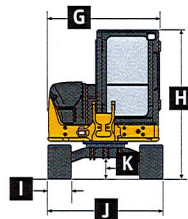
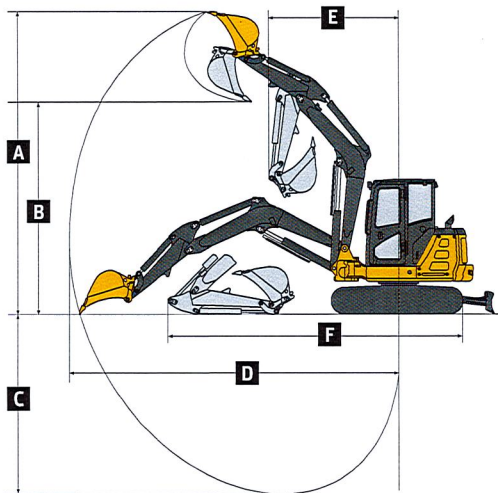
# P

## 60 P-TIER COMPACT EXCAVATOR SPECIFICATIONS

While general information, pictures, and descriptions are provided, some illustrations and text may include product options and accessories NOT AVAILABLE in all regions, and in some countries products and accessories may require modifications or additions to ensure compliance with the local regulations of those countries.

Engine		60 P-TIER	
Manufacturer and Model	Yanmar 4TNV98C-WHB	Displacement	3.32 L (203 cu. in.)
Non-Road Emission Standard	EPA Final Tier 4/EU Stage IV	Net Rated Power (ISO 9249)	39.6 kW (53 hp) at 2,000 rpm
Powertrain			
2-speed propel with automatic shift; each track independently driven by hydrostatic axial-piston motor connected to 2-stage planetary gear-reduction box			
Maximum Travel Speed	Slow: 2.9 km/h (1.8 mph) / Fast: 4.8 km/h (3.0 mph)		
Hydraulics			
Open-center, pilot-operated			Controls
Main Pumps	1 variable-displacement pump		2 hydraulic pilot-operated controls for boom, arm, bucket, swing, boom swing, travel, and auxiliary functions
Maximum Rated Flow	144 L/m (38.0 gpm)		
Auxiliary Maximum Rated Flow	91.5 L/m (24.2 gpm)		
Electrical			
Alternator Rating	55 amp		
Work Lights	2 halogen: 1 mounted on operator's station and 1 mounted on boom		
Undercarriage			
Track Shoe Width, Standard Configuration	400 mm (16 in.)		
Ground Pressure	1500-mm (4 ft. 11 in.) Standard Arm		1850-mm (6 ft. 1 in.) Long Arm (add counterweight)
	With Canopy	With Cab	With Canopy
With 400-mm (16 in.) Rubber Track	34 kPa (4.9 psi)	35 kPa (5.1 psi)	36 kPa (5.2 psi)
			With Cab
			36 kPa (5.2 psi)
Upperstructure			
Swing Speed, Right/Left	9.5 rpm		
Maximum Boom Swing Angle			
Left	80 deg.		
Right	60 deg.		
Swing Brake	Spring applied, hydraulically released, automatic, disc type		
Serviceability			
Refill Capacities		Refill Capacities (continued)	
Fuel Tank	120 L (31.7 gal.)	Engine Oil With Filter	11.2 L (3 gal.)
Engine Coolant	7.7 L (2 gal.)	Hydraulic Tank	80 L (21.1 gal.)
Operating Weights			
	1500-mm (4 ft. 11 in.) Standard Arm and 400-mm (12 in.) Track		1850-mm (6 ft. 1 in.) Long Arm and 400-mm (12 in.) Track
	With Canopy	With Canopy	With Cab
	Rubber	Steel	Rubber
With 745-kg (1,642 lb.) Counterweight;	6010 kg	6110 kg	6180 kg
762-mm (30 in.), 204-kg (450 lb.) Bucket;	(13,250 lb.)	(13,470 lb.)	(13,850 lb.)
Full Fuel Tank; and 75-kg (165 lb.) Operator			
Angle Blade	458 kg (1,010 lb.)	458 kg (1,010 lb.)	458 kg (1,010 lb.)
Counterweight			
Standard (including hardware)	745 kg (1,642 lb.)	745 kg (1,642 lb.)	745 kg (1,642 lb.)
Additional	270 kg (595 lb.)	270 kg (595 lb.)	270 kg (595 lb.)
Operating Dimensions			
	1500-mm (4 ft. 11 in.) Standard Arm	1850-mm (6 ft. 1 in.) Long Arm	1500-mm (4 ft. 11 in.) Standard Arm
A Maximum Cutting Height	5.96 m (19 ft. 7 in.)	6.19 m (20 ft. 4 in.)	5.76 m (18 ft. 11 in.)
B Maximum Dumping Height	4.17 m (13 ft. 8 in.)	4.41 m (14 ft. 6 in.)	5.79 m (19 ft. 0 in.)
C Maximum Digging Depth	3.77 m (12 ft. 4 in.)	4.12 m (13 ft. 6 in.)	
D Maximum Digging Reach	6.23 m (20 ft. 5 in.)	6.56 m (21 ft. 6 in.)	
E Minimum Boom Swing Radius	2.45 m (8 ft. 0 in.)	2.54 m (8 ft. 4 in.)*	
F Transport Length			
Digging Force (ISO), HCM Bucket			
(788.1-mm [31 in.] tip radius)			
Arm			31.1 kN (6,990 lb.)
Bucket			41.1 kN (9,240 lb.)
			27.0 kN (6,060 lb.)

\*With additional counterweight.





## 60 P-TIER COMPACT EXCAVATOR SPECIFICATIONS

# 60

# P

While general information, pictures, and descriptions are provided, some illustrations and text may include product options and accessories NOT AVAILABLE in all regions, and in some countries products and accessories may require modifications or additions to ensure compliance with the local regulations of those countries.

Machine Dimensions <i>(see line art at bottom right of page 6)</i>		60 P-TIER	
G Upperstructure Width	1.93 m (6 ft. 4 in.)	N Maximum Blade Lift Above Ground	450 mm (18 in.)
H Overall Height (canopy or cab)	2.54 m (8 ft. 4 in.)	O Maximum Blade Drop Below Ground	390 mm (15 in.)
I Track Width	400 mm (16 in.)	Blade	
J Undercarriage Width	2.00 m (6 ft. 7 in.)	Width	2.00 m (6 ft. 7 in.)
K Ground Clearance	325 mm (13 in.)	Height	420 mm (17 in.)
L Tail Swing Radius		P Sprocket Center to Idler Center	1.99 m (6 ft. 6 in.)
With Standard Counterweight	1.30 m (4 ft. 3 in.)	Q Undercarriage Length	2.50 m (8 ft. 2 in.)
With Additional Counterweight	1.41 m (4 ft. 8 in.)	R Counterweight Clearance	620 mm (24 in.)
M Engine Cover Height	1.60 m (5 ft. 3 in.)		

### Lift Capacities

**Boldface type** indicates hydraulically limited capacity; **lightface type** indicates stability-limited capacities, in kg (lb.). All lift capacities are based on ISO 10567 (with power boost). Lifting measurement from center of arm to bucket pin; with 400-mm (16 in.) track shoe and blade on ground; and situated on firm, level, uniform supporting surface. Total load includes weight of cables, hook, etc. Figures do not exceed 87 percent of hydraulic capacities or 75 percent of weight needed to tip machine.

	Rubber Track and		Steel Track and		Rubber Track and		Steel Track and	
	Standard Counterweight Over Front	Over Side	Standard Counterweight Over Front	Over Side	Extra Counterweight Over Front	Over Side	Extra Counterweight Over Front	Over Side
<b>Ground Level at 3.0-m (9 ft. 10 in.) Radius</b>								
1500-mm (4 ft. 11 in.) Standard Arm and Cab	<b>3880 kg</b> (8,550 lb.)	1500 kg (3,310 lb.)	<b>3880 kg</b> (8,550 lb.)	1520 kg (3,350 lb.)	<b>3880 kg</b> (8,550 lb.)	1690 kg (3,730 lb.)	<b>3880 kg</b> (8,550 lb.)	1720 kg (3,790 lb.)
1850-mm (6 ft. 1 in.) Long Arm and Cab	<b>3810 kg</b> (8,400 lb.)	1480 kg (3,260 lb.)	<b>3810 kg</b> (8,400 lb.)	1500 kg (3,310 lb.)	<b>3810 kg</b> (8,400 lb.)	1680 kg (3,700 lb.)	<b>3810 kg</b> (8,400 lb.)	1700 kg (3,750 lb.)
1500-mm (4 ft. 11 in.) Standard Arm and Canopy	<b>3880 kg</b> (8,550 lb.)	1420 kg (3,130 lb.)	<b>3880 kg</b> (8,550 lb.)	1420 kg (3,130 lb.)	<b>3880 kg</b> (8,550 lb.)	1620 kg (3,570 lb.)	<b>3880 kg</b> (8,550 lb.)	1620 kg (3,570 lb.)
1850-mm (6 ft. 1 in.) Long Arm and Canopy	<b>3820 kg</b> (8,420 lb.)	1400 kg (3,090 lb.)	<b>3820 kg</b> (8,420 lb.)	1400 kg (3,090 lb.)	<b>3820 kg</b> (8,420 lb.)	1600 kg (3,530 lb.)	<b>3820 kg</b> (8,420 lb.)	1610 kg (3,550 lb.)

## Additional equipment

Key: ● Standard ▲ Optional or special

See your John Deere dealer for further information.

### 60 P Engine

- Meets EPA Final Tier 4/EU Stage IV emissions
- Auto shutdown
- Engine coolant to -37 deg. C (-34 deg. F)
- Engine preheater
- Fan guard
- Fuel/water separator
- Full-flow oil filter
- Isolation mounted
- Key start switch with electric fuel shutoff
- Single dry-type air filter

### Hydraulic System

- Auto-idle
- Auxiliary function right-hand pilot-lever control
- Auxiliary hydraulic lines with quick-couplers to end of boom
- Auxiliary return-flow selector valve
- Axial-piston swing motor
- Boom-swing foot control
- Excavator-to-backhoe control pattern change valve
- Closed center load sensing with 1 variable-displacement pump
- Hydraulic pilot-operated controls for boom, arm, bucket, swing, boom swing, blade, travel, and auxiliary functions
- Wet-disc swing brake

### Undercarriage

- Planetary final drive
- Propel motor shield
- 2-speed axial-piston propel motors
- Rubber track, 400 mm (16 in.)

### 60 P Undercarriage (continued)

- ▲ Steel track, 400 mm (16 in.) with triple semi-grousers
- ▲ Rubber crawler pad, 400 mm (16 in.)

### Upperstructure

- 360-deg. rotation
- Counterweight, 745 kg (1,642 lb.)
- Hinged service-access doors
- Toolbox
- ▲ ROPS/TOPS/FOPS (canopy)
- ROPS/TOPS/FOPS (cab) with air conditioning and heater
- Vandal protection for service doors, fuel cap, and toolbox
- Reduced-tail-swing configuration

### Front Attachments

- Arm, 1500 mm (4 ft. 11 in.)
- ▲ Long arm, 1850 mm (6 ft. 1 in.), includes additional 270-kg (595 lb.) counterweight
- Articulation hose shield
- Backfill blade, 2.00 m (6 ft. 7 in.)
- ▲ Hydraulic angle backfill blade
- Boom, 2.965 m (9 ft. 9 in.)
- Mechanical quick-coupler
- ▲ Augers: Planetary / Chain drive / Bits / Bit adapters
- ▲ Clamp
- ▲ Hammers: Points / Tools
- ▲ Quick-coupler buckets: Bucket teeth / Ditching / Heavy-duty

### Operator's Station

- Horn
- Hour meter

### 60 P Operator's Station (continued)

- Instrumentation lights
- Mode selectors (illuminated): Power mode (1) / Economy mode (1)
- Monitor system: Preheat indicator / Engine oil pressure indicator with alarm / Alternator voltage indicator / Fuel gauge and low-fuel-level indicator / Engine coolant temperature gauge and engine coolant temperature indicator with alarm / Hour meter / Work lights indicator
- Motion alarm with cancel switch
- Work lights switch
- Propel levers and foldable pedals
- 2 travel speeds with automatic shifting
- Seat belt, 51 mm (2 in.), retractable
- ▲ Seat belt, 76 mm (3 in.), retractable
- ▲ Vinyl seat with fore/aft adjustment
- Suspension seat (cloth)
- ▲ Front screen
- ▲ Rear secondary exit kit

### Electrical

- 12-volt accessory outlet
- Alternator, 55 amp
- Low-maintenance battery
- Blade-type multi-fused circuits
- Positive-terminal battery covers
- ▲ JDLink™ connectivity hardware and John Deere Operations Center™ account

### Lights

- Work lights: Halogen / 1 mounted on operator's station / 1 mounted on boom

Net engine power is with standard equipment including air cleaner, exhaust system, alternator, and cooling fan at test conditions per ISO 9249. These machines are not equipped with spark-arrestor mufflers. Usage in forestry applications is not recommended. Specifications and design subject to change without notice. Wherever applicable, specifications are in accordance with SAE standards. Except where otherwise noted, these specifications are based on a cab unit with standard arm, 0.19-m<sup>3</sup> (6.8 cu. ft.) bucket, 400-mm (16 in.) rubber track, 745-kg (1,642 lb.) counterweight, full fuel tank, and 79-kg (175 lb.) operator.





**JOHN DEERE**